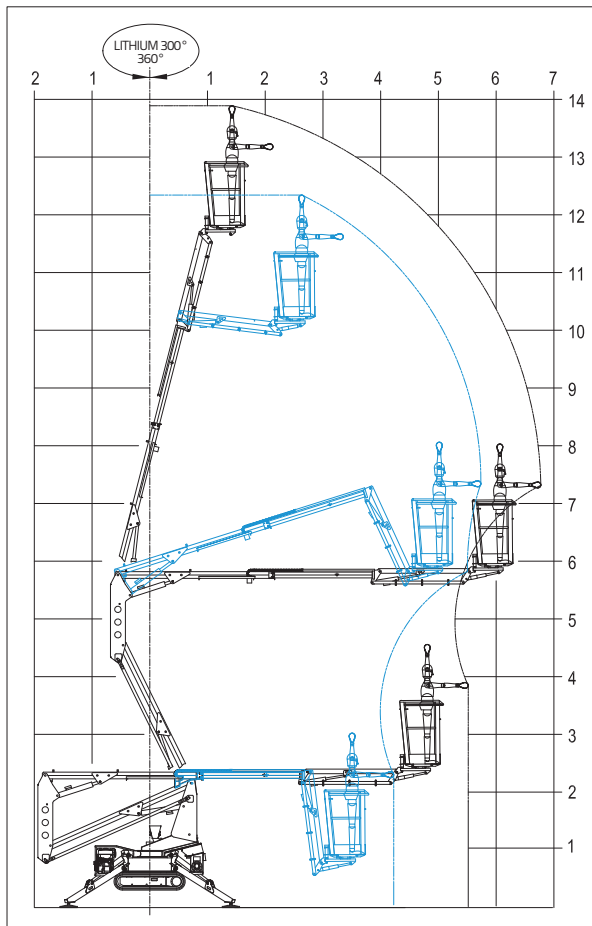
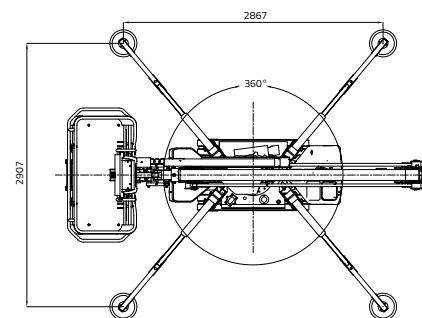
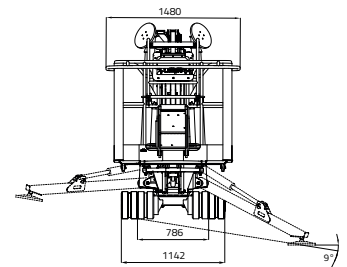
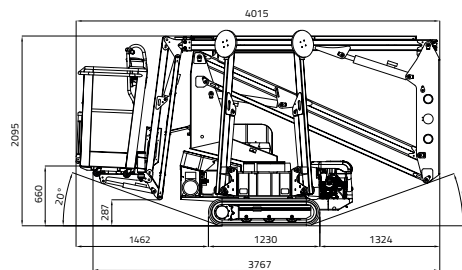


# LL14.70



**CAPACITY 120 KG**  
(1 person 80 kg + toolbox 40 kg)  
**CAPACITY 200 KG**  
(2 persons 80x2=160 kg + toolbox 40 kg)



12,25 m    13,90 m



1.335 x 690 x h 1.100 mm



Automatic set up system IIS std.



5,92 m    6,76 m



15° / 26,8%



Remote control



4,01 m



786 - 1142 mm



GPRS-GPS



3,76 m



1400 daN - 2 daN/cm<sup>2</sup>



R.A.H.M.



2,09 m



2867 x 2907 mm



Lithium-ion battery pack  
4,8 kWh



**PETROL ENGINE**

Brand.....HONDA  
 Type .....GX390  
 Pistons no. and displacement.....  
 ..... single-cylinder 389 cm<sup>3</sup>  
 Max gross power .....  
 ..... 11,7HP - 8,7 kW @ 3600 rpm  
 Electrical start ..... 12 volt

**DIESEL ENGINE**

Brand..... HATZ  
 Type ..... 1B40 - HD Autovrev  
 Pistons no. and displacement.....  
 ..... single-cylinder 462 cm<sup>3</sup>  
 Max gross power .....  
 ..... 10 HP - 7,5 kW @ 3600 rpm  
 Electrical start ..... 12 volt

**LITHIUM-ION SYSTEM**

Lithium-ion powered ..... 4,8 kWh  
 Onboard battery charger.....  
 ..... 220V 50Hz or 110V 50Hz  
 Autonomy..... 4-5 h  
 Recharge time on flat batteries .....  
 ..... 4 h (indicative)  
 Recharge time to 80% on flat batteries.  
 ..... 2 h (indicative)

**ELECTRIC MOTOR**

Standard ..... 230V / 50 Hz - 2,2 kW  
 Optional ..... 110V / 50 Hz - 2,2 kW

**TRACKED UNDERCARRIAGE**

Track tensioner ..... grease-filled  
 Rollers no. per side ..... 3 + slide

Translation speed:

- thermal engine ..... 1,3 - 2,6 km/h  
 - lithium system..... 1,1 - 2,1 km/h

WEIGHT MACHINE petrol / diesel engine ..... 1530 kg

WEIGHT MACHINE lithium system ..... 1580 kg

MAX WIND SPEED..... 12,5 m/s